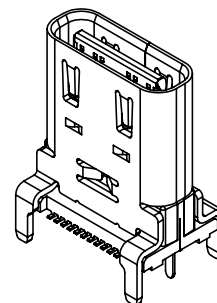
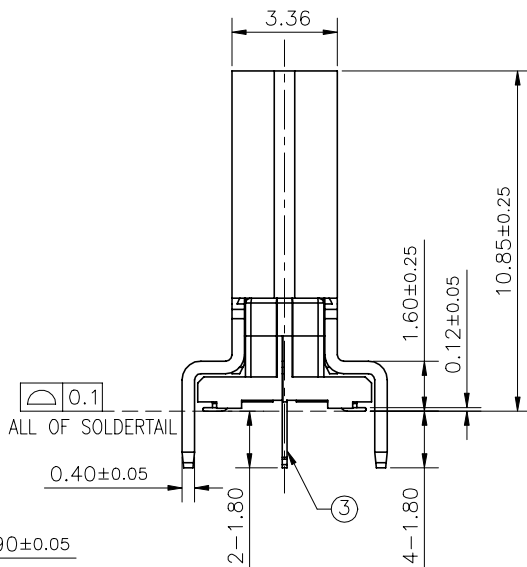
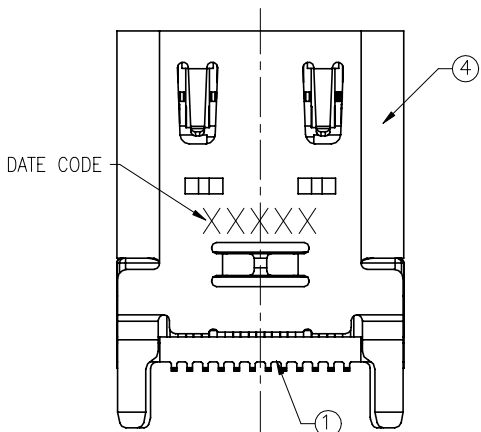


SCALE 2:1
RECEPTACLE & PLUG MATED CONDITION

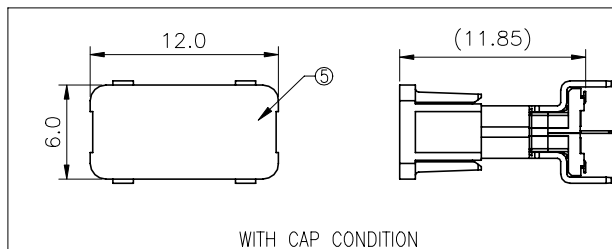
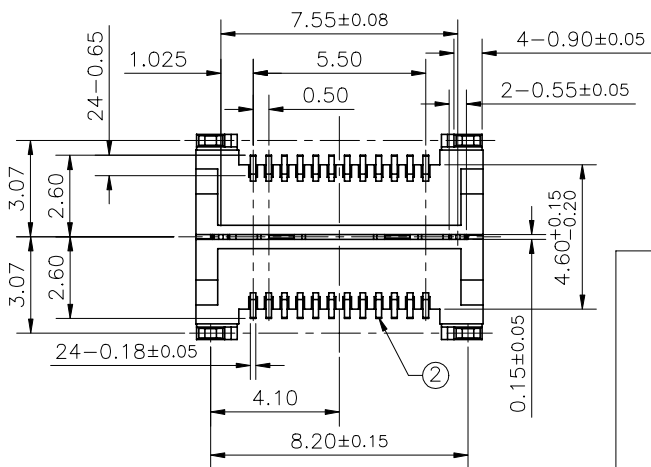
- MATERIAL:
 - HOUSING: PA9T GP2450+45%G.F. UL94V-0, BLACK
 - TERMINAL: C19400-H T=0.12mm
 - GROUND PIN: SUS301R-H T=0.15mm
 - OUTER SHELL: SUS304R-1/2H T=0.40mm
 - CAP: LCP E130i, UL94V-0, BLACK
- FINISH:
 - TERMINAL:
 - 30u" MIN. GOLD PLATING ON CONTACT.
 - 80u" MIN. NICKEL PLATING OVERALL.
 - 60u" MIN. MATT TIN PLATING ON SOLDER TAILS.
 - GROUND PLATE & SHELL :
 - 50u" MIN NICKEL PLATING OVERALL.
- SPEC. PLS. REFER TO SPEC-55907-xxxxx-xxx
- PACKAGE PLS REFER TO 31890-024XX-001-PCK
- PART NUMBER

31890-024 X X-001
 NO OF CKT _____ PLATING
 D: 30u" GOLD ON CONTACT
 PACKING _____
 7: TAPE & REEL WITH CAP



ITEM	DESCRIPTION	Q'TY
5	CAP	1
4	SHELL	1
3	GROUND PLATE	1
2	CONTACT	24
1	HOUSING	1

PIN	SIGNAL NAME	PIN	SIGNAL NAME
A12	GND	B1	GND
A11	SSRXp2	B2	SSTXp2
A10	SSRXn2	B3	SSTXn2
A9	VBUS	B4	VBUS
A8	SBU1	B5	CC2
A7	Dn1	B6	Dp2
A6	Dp1	B7	Dn2
A5	CC1	B8	SBU2
A4	VBUS	B9	VBUS
A3	SSTXn1	B10	SSRXn1
A2	SSTXp1	B11	SSRXp1
A1	GND	B12	GND



QUALITY SYMBOLS
 MAJOR Ⓢ
 CRITICAL Ⓢ
 GENERAL TOLERANCES
 (UNLESS SPECIFIED)
 X ±0.5
 X ±0.25
 .XX ±0.15
 .XXX ±0.1
 ANGLES ±2°

UNITS	SCALE	SHEET NO.	REV
mm	4:1	1 OF 2	C

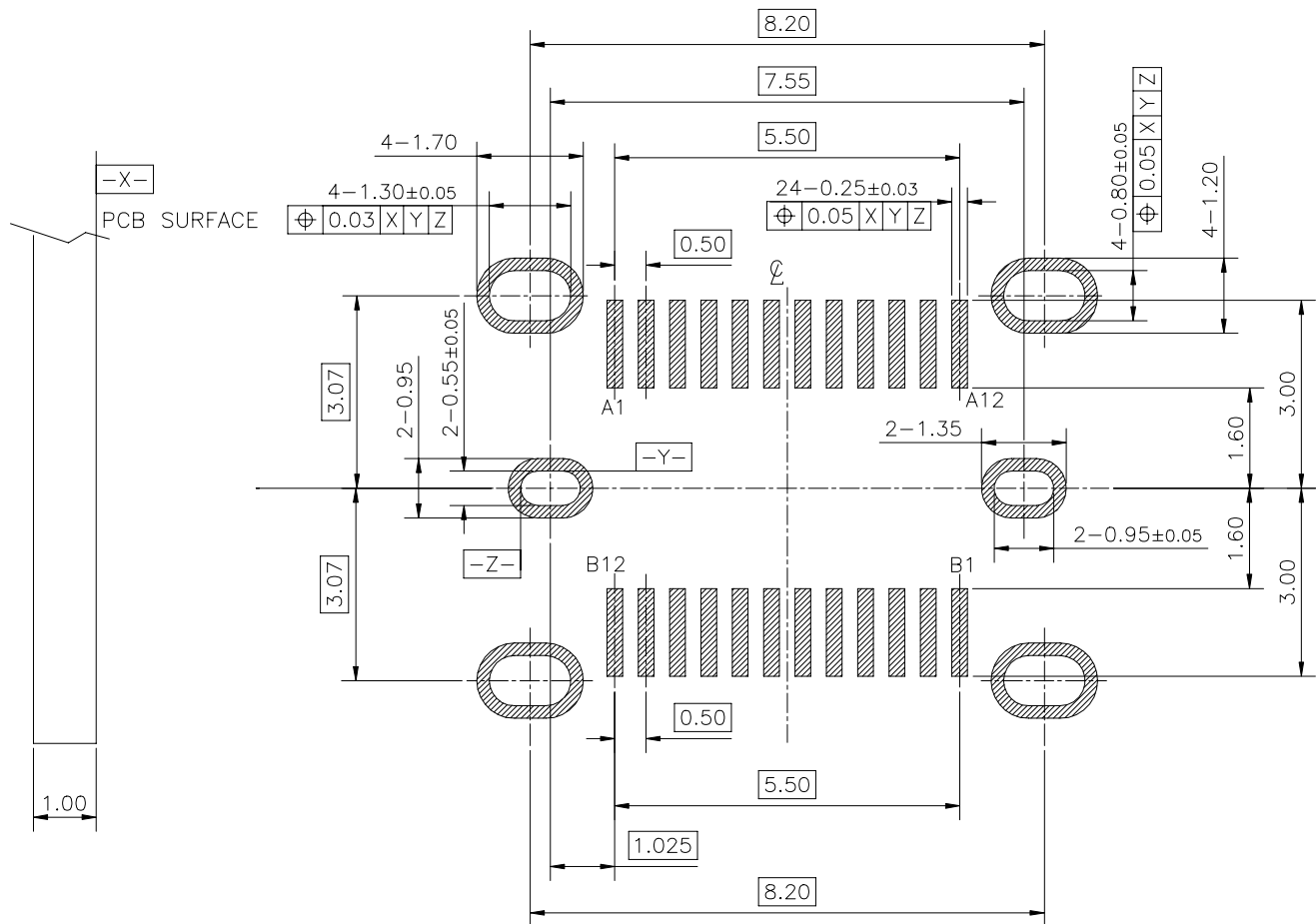
ACES ELECTRONICS

**USB TYPE C RECEPTACLE,
VERTICAL, H=10.85**

RFQ NO. N/A
 DWG NO. 31890-024XX-001



- NOTES:
- 1.0 ELECTRICAL CHARACTERISTICS:
 - 1.1 LOW LEVEL CONTACT RESISTANCE:
INITIAL : 40mΩ FOR ALL CONTACT MAX.
AFTER : 50mΩ MAX.
 - 1.2 DIELECTRIC WITHSTANDING VOLTAGE :
100 VAC FOR 1 MINUTE SEA LEVEL.
 - 1.3 INSULATION RESISTANCE :
100MΩ MIN.
 - 1.4 CURRENT RATING :
VBUS AND GND CONTACT RATED AT 1.25 A EA .
PARALLELED FOR A TOTAL OF 5A .
 - 2.0 MECHANICAL CHARACTERISTICS :
 - 2.1 INSERTION FORCE : 5N~20N .
 - 2.2 EXTRACTION FORCE : 8N~20N INITIAL , 6N~20N FINAL.
 - 2.3 DURABILITY : 10,000 CYCLES



RECOMMENDED PCB LAYOUT
TOP VIEW
SCALE 8:1
(TOLERANCE=±0.05mm)

QUALITY SYMBOLS MAJOR Ⓜ CRITICAL Ⓢ GENERAL TOLERANCES (UNLESS SPECIFIED) X. ±0.5 X ±0.25 .XX ±0.15 .XXX ±0.1 ANGLES ±2°	DRAWN BY		DATE		
	Hsu, Wei Chun		22/12/16		
	CHECKED BY		DATE		
	Chang, Chun T		22/12/16		
APPROVED BY		DATE		TITLE	
Kuo, Rong Hsun		22/12/16		USB TYPE C RECEPTACLE, VERTICAL,H=10.85	
UNITS		SIZE	RFQ NO.		
mm		A4	N/A		
SCALE	SHEET NO.	REV	DWG NO.		
4 : 1	2 OF 2	C	31890-024XX-001		